

Plus[®]
QUICKSTART GUIDE

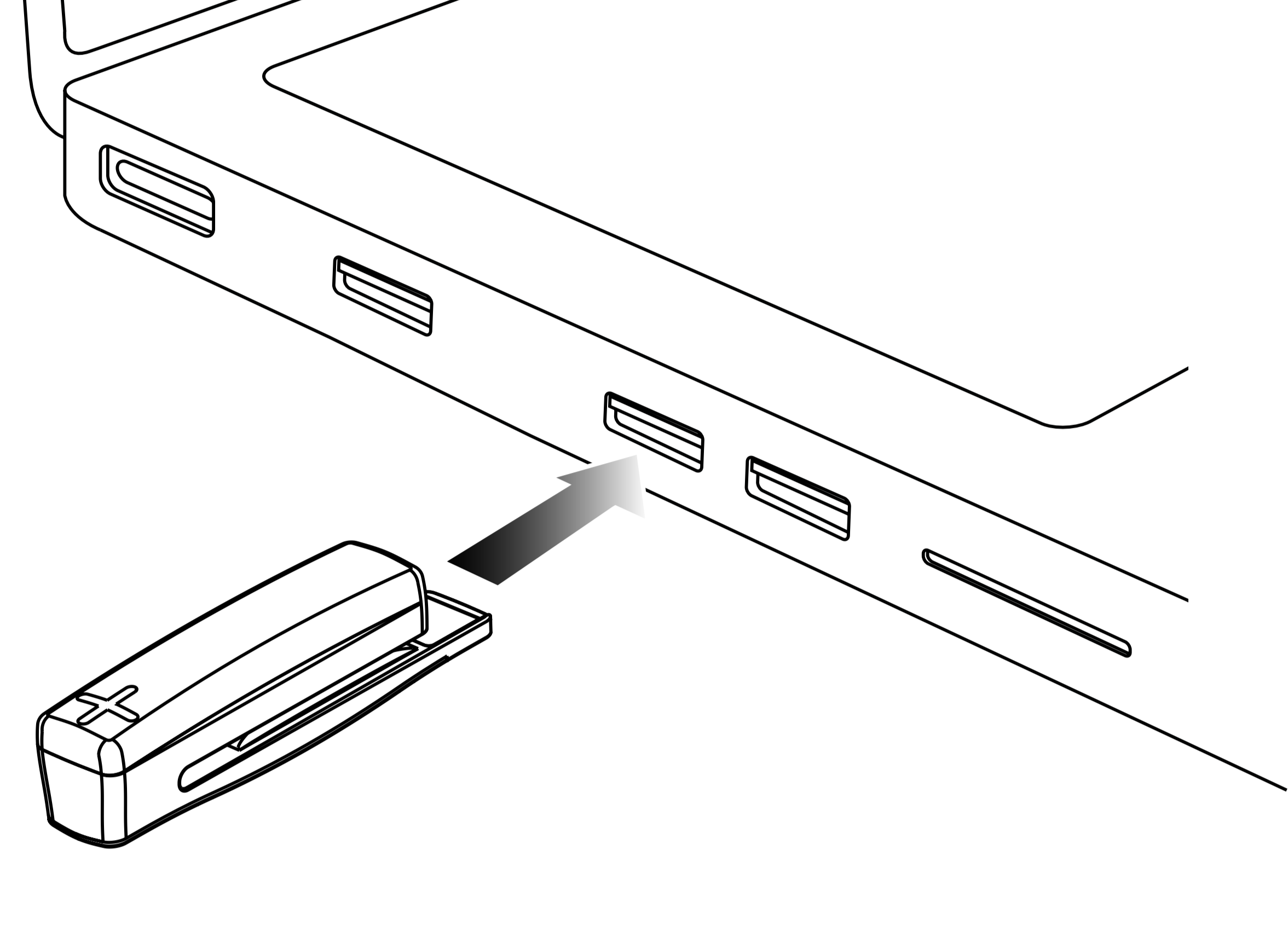
KNOG



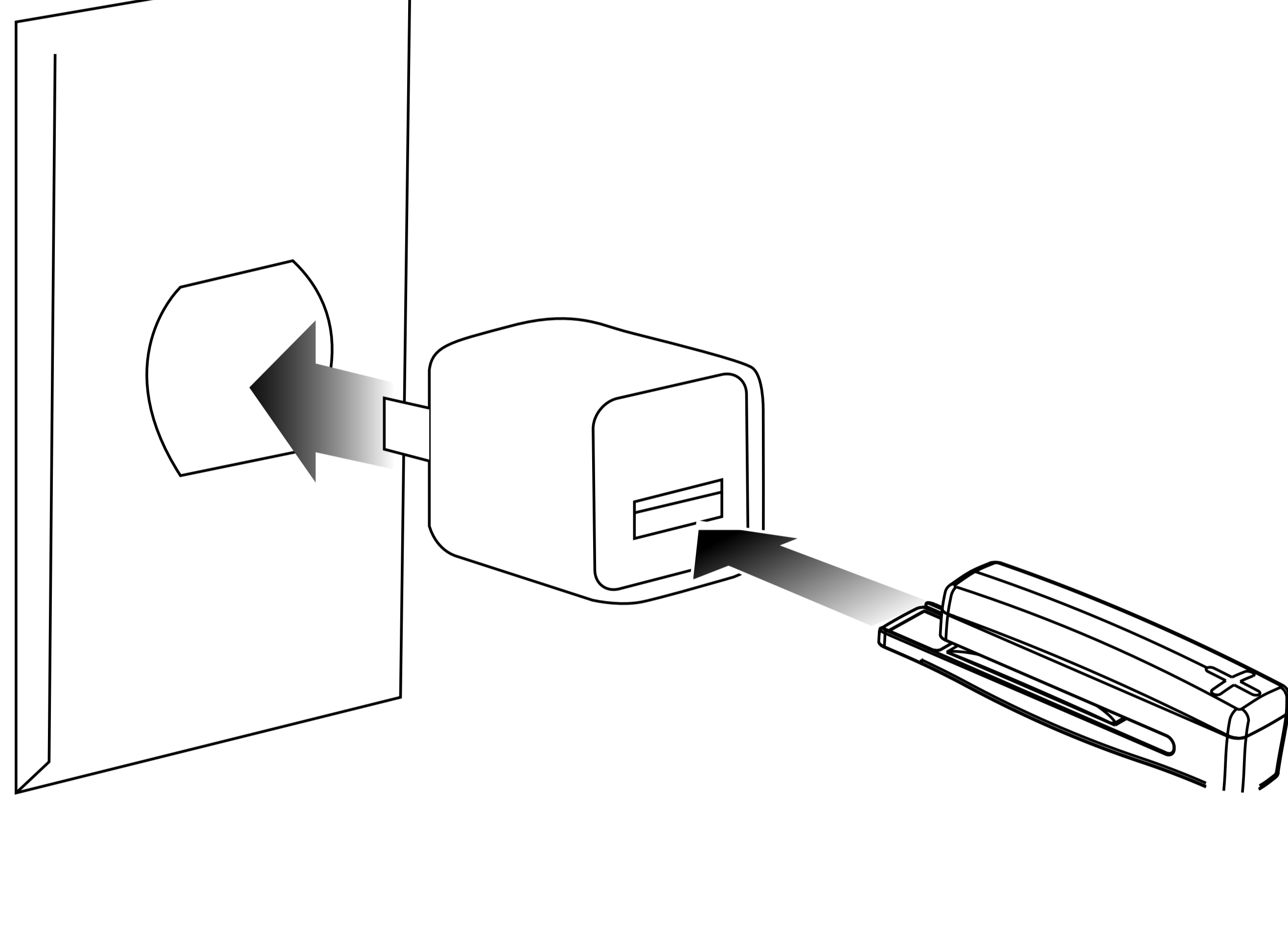
Remember to charge before first use!

CHARGING

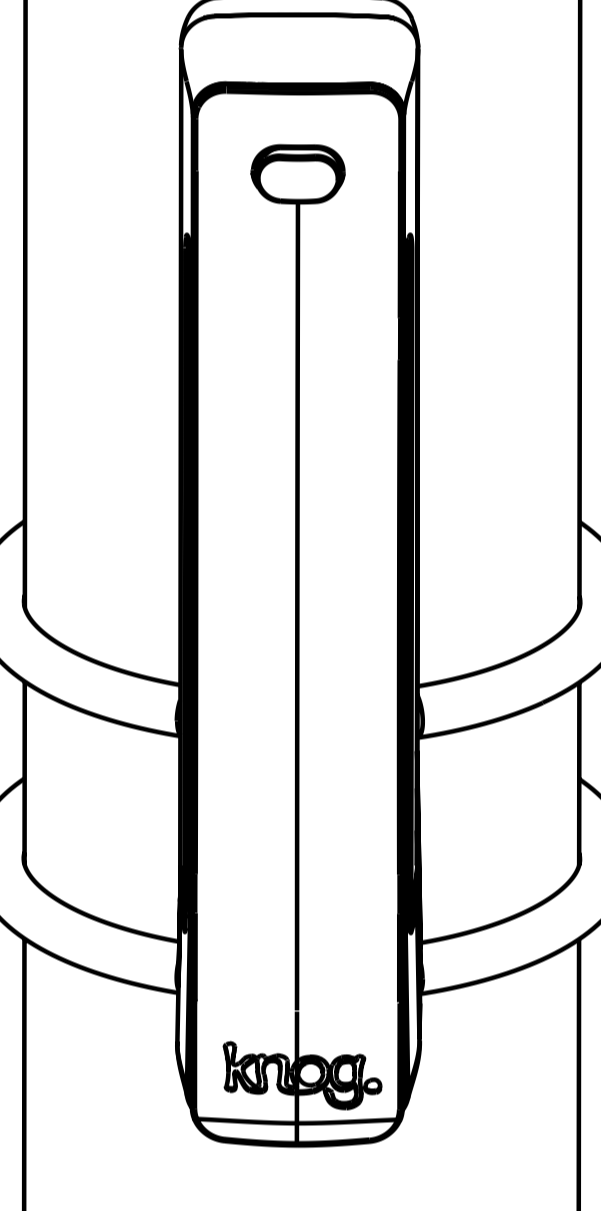
CONNECT THE PLUS THROUGH THE USB PLUG TO A COMPUTER OR OTHER ELECTRONIC DEVICE WITH USB PORT.



IF YOU ARE USING A POWER OUTLET, USE ONLY SUITABLE USB CHARGERS.



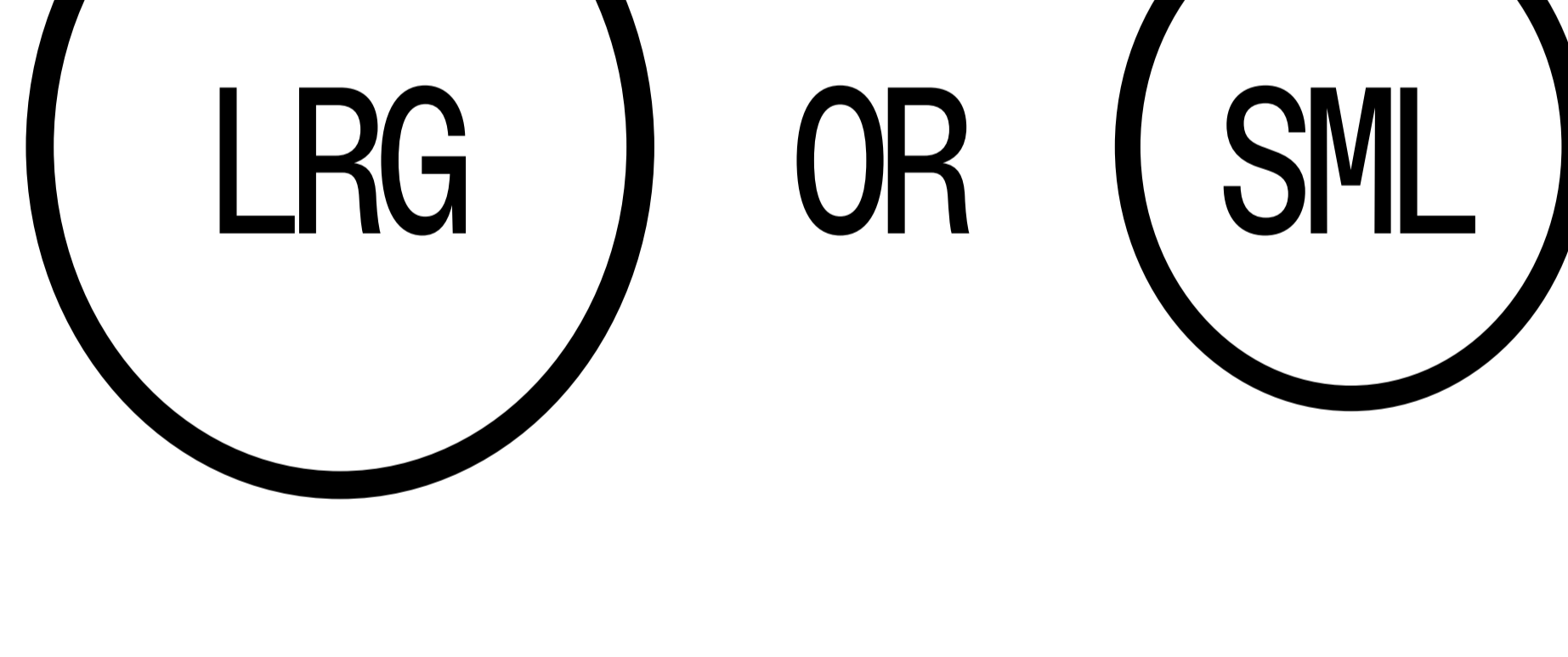
LED GLOWS RED WHEN CHARGING. LED TURNS OFF WHEN FULLY CHARGED.



PRESS & HOLD THE POWER BUTTON TO TURN ON THE LIGHT. BY PRESSING BRIEFLY, YOU CAN CHOOSE BETWEEN THE DIFFERENT MODES.

A LED BELOW THE POWER BUTTON STAYS ON FOR 2 SECONDS AFTER TURNING OFF, WHEN THE BATTERY IS LOW.

2 STRAPS INCLUDED

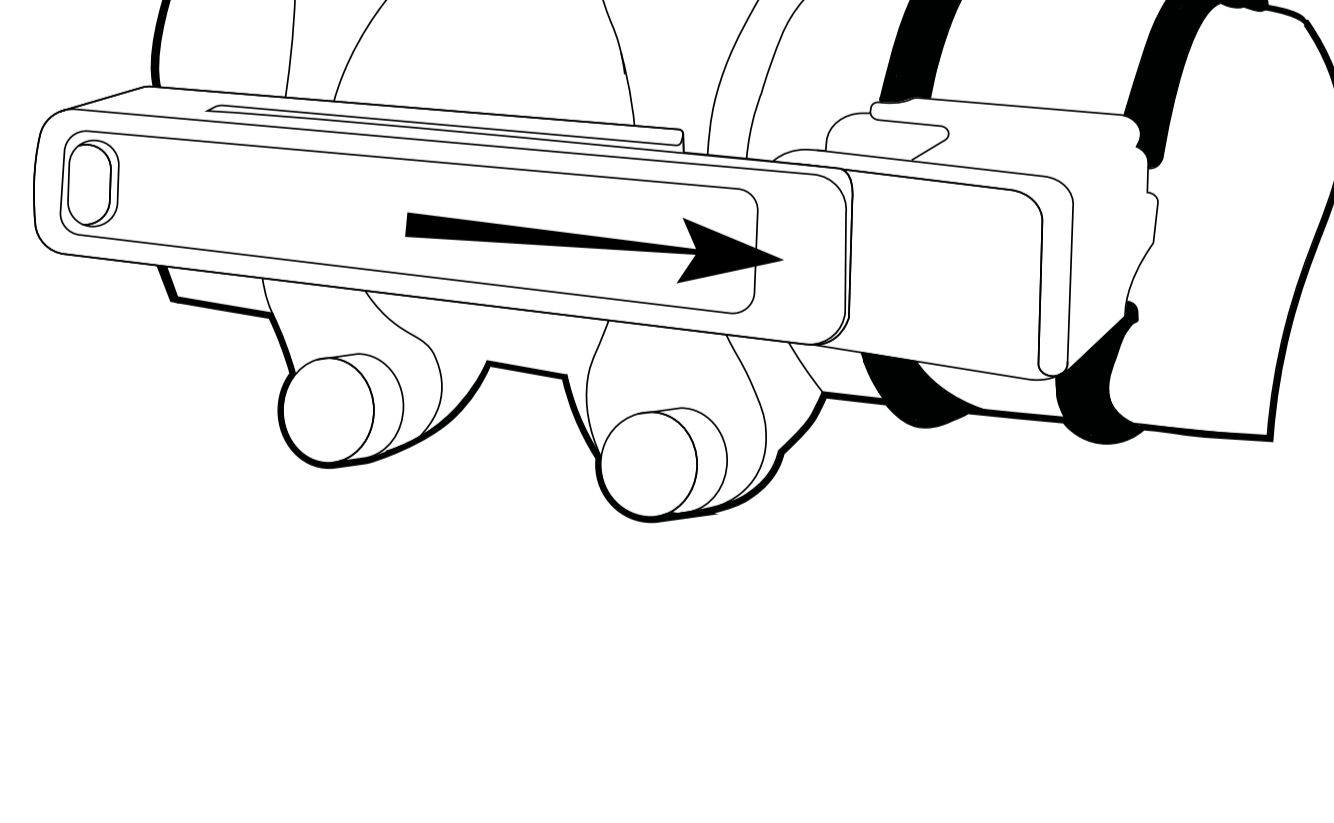
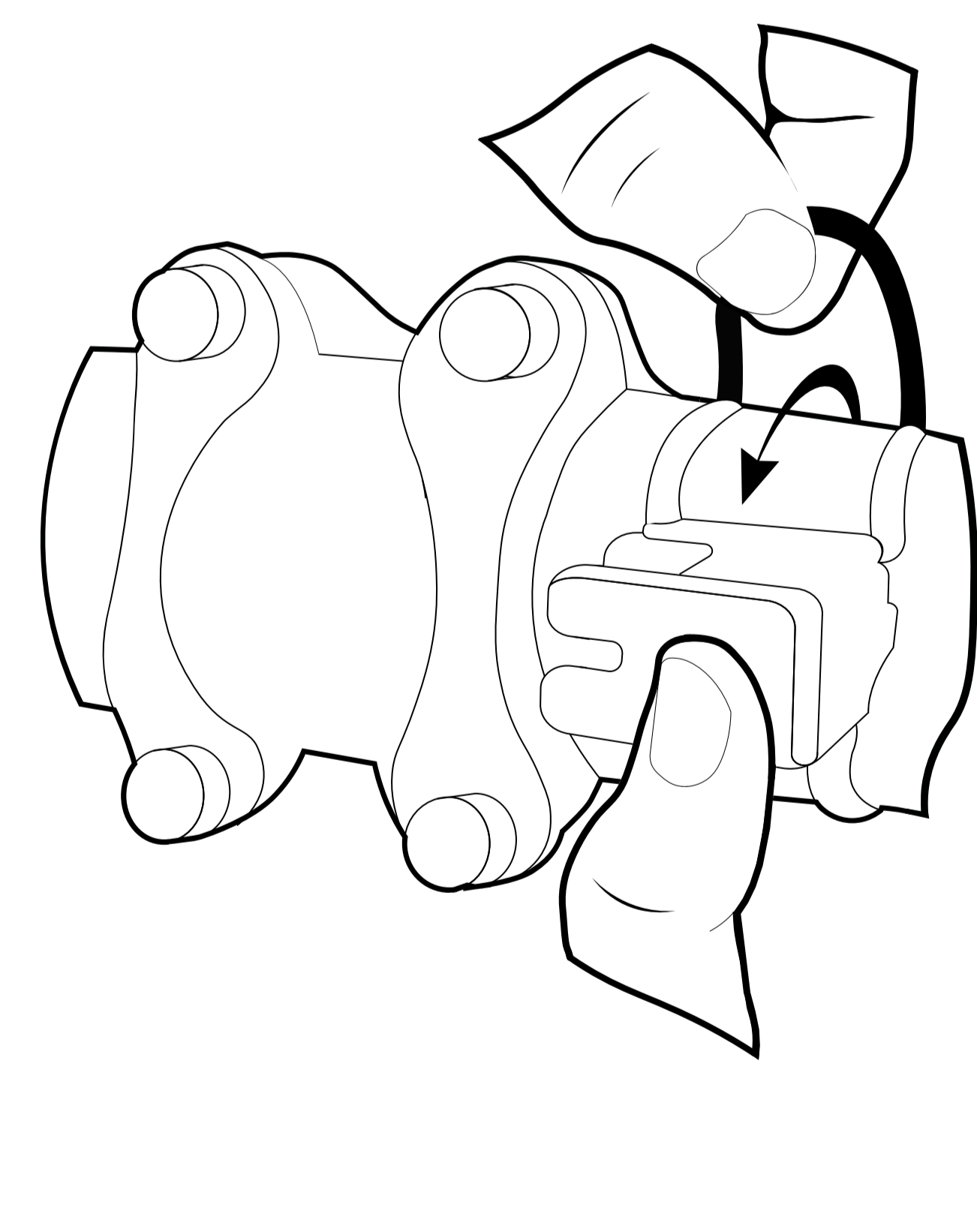


SML: Ø 22-27MM

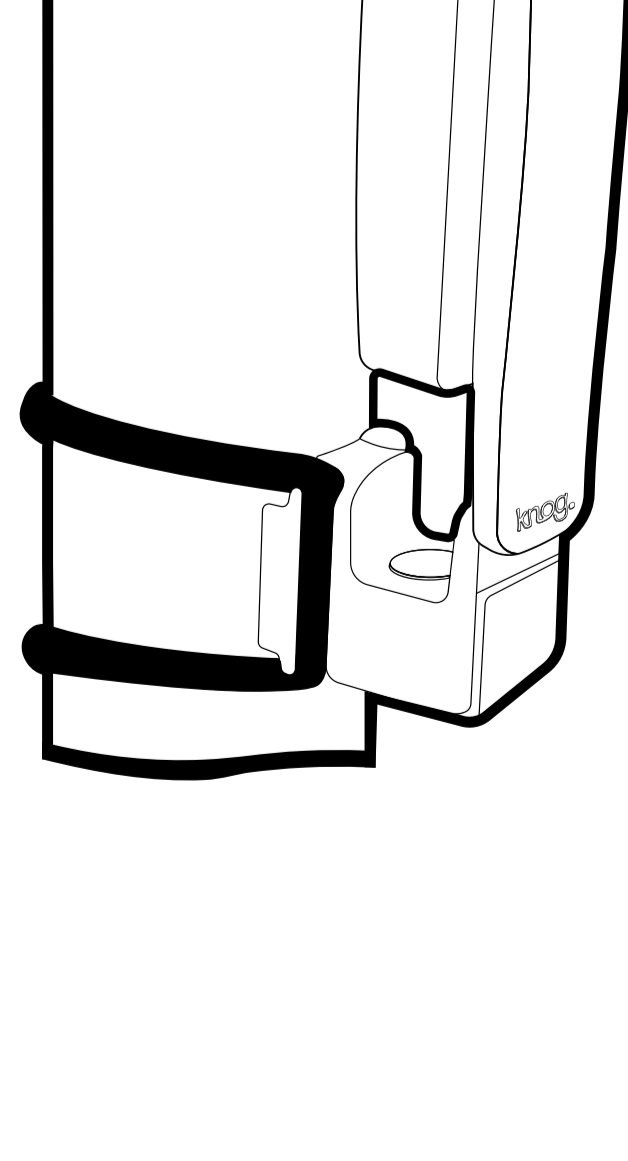
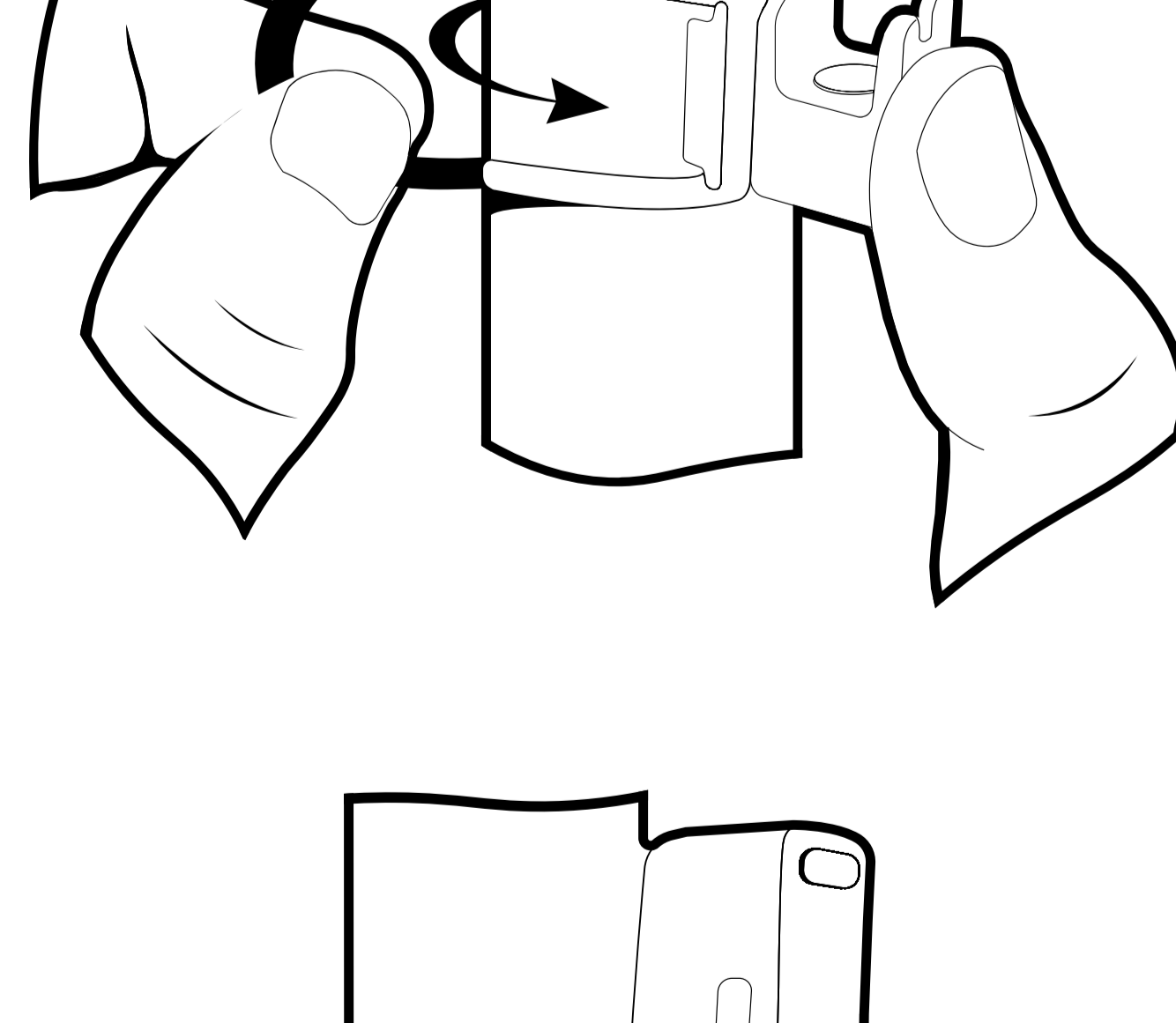
LRG: Ø 28-32+MM

MOUNTING

FRONT



REAR



KNOG[®]

TECHNICALLY
UNCONVENTIONAL

DESIGNED IN NAARM [MELBOURNE] BY KNOG ©

2 YEAR WARRANTY-DETAILS AT KNOG.COM

